

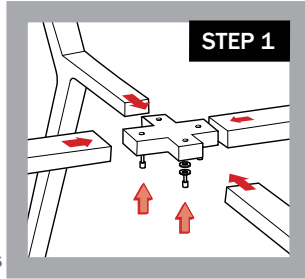
SET UP

KAMADO VisionHybrid S-Series

Model # S-4C1D1-H

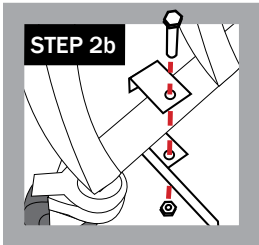
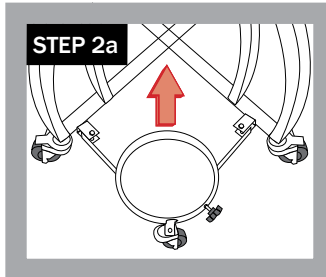
Step 1: Cart Assembly

- Remove bolts, washers and locking washers from the two "X" connectors.
- Remove paper washers and begin assembling the "X" connectors and legs.
- Please Note: Top & Bottom "X" Connectors must be assembled at the same time in order to fit together.
- Assemble cart by inserting the two "X" connectors into leg ends and install bolts and washers in the same order they were removed from "X" connectors (Step 1).
- While assembling, only finger-tighten bolts, to allow adjustment in cart. Otherwise it can be difficult to get all of the bolts inserted.
- Screw in Standard Rubber Wheels to rear Cart Legs and the Locking Rubber Wheels to the front Cart Legs.
- After cart is assembled, confirm all bolts are tightened using provided wrench.



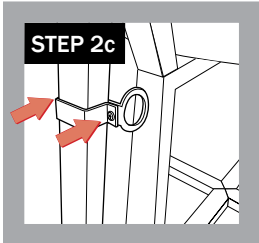
Step 2: Install Gas Caddy & Tank

- Place the Gas Tank Caddy between the rear legs of the grill cart (Step 2a).
- Fasten mounting brackets to cart by removing nut and bolt from each bracket, separating the top bracket piece from Gas Tank Caddy frame.
- Slide Gas Tank Caddy under Cart so top bracket piece rests on cart frame and is lined up with bolt hole on bottom of Gas Tank Caddy.

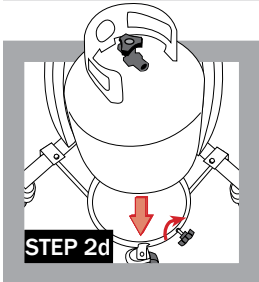


- Reinsert bolt into frame and tighten together with nut (Step 2b).
- Use the provided wrench to tighten all connections.
- Attach the two hose brackets (used to hold gas hose), with eyelets facing in, onto the front and rear legs of cart (Step 2c).

Note: Do NOT allow the hose to touch the ceramic.



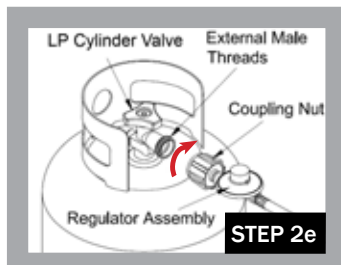
- Put the gas tank on the Gas Tank Caddy and tighten into place using Gas Tank Caddy knob (Step 2d).
- From rear of grill, feed gas hose through eyelets of the hose brackets, grill connector first. Connect gas hose to the Gas Insert using the Quick Disconnect fitting.
- Make sure the cylinder valve is closed (turn valve clockwise until tight).



- Inspect valve connections, port, hose and regulator assembly for any damage or debris. Remove any debris.
- When connecting regulator assembly to the valve, hand tighten the quick coupling nut clockwise to a complete stop.
- After the gas hose is connected to the gas tank and Gas Insert, open valve from gas tanks and use a leak test to test the connections.

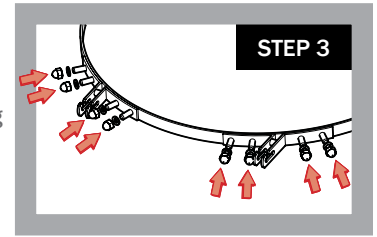
Leak Test: Watch For Bubbles

Pour Leak Test Solution (not included) or soapy water at the connection spot of the gas cylinder to check whether there is gas leakage. If solution produces bubbles this means there is a leak.



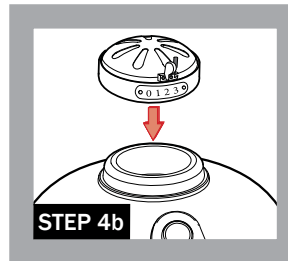
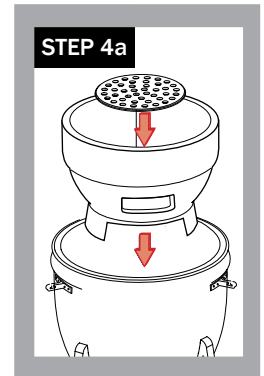
Step 3: Shelf Brackets

- Remove nuts and washers from the bolts welded on the bottom banding and remove paper washers.
 - Mount shelf brackets over studs on the sides of the metal bands on the bottom ceramic grill body with bracket slots facing up.
- Brackets are stamped on the back with letters indicating their position (e.g., LF=Left Front bracket and RB=Right Back bracket).
- Mount flat washer then acorn nut on each stud and tighten with provided wrench.



Step 4: Grill Assembly

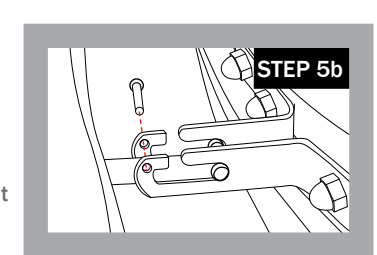
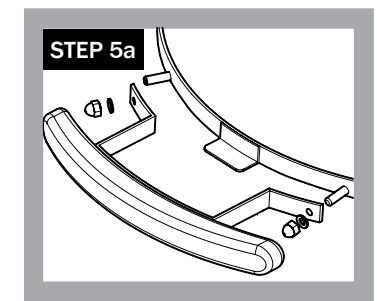
- Take all parts out of grill before lifting. The grill is heavy and will require two people to lift and guide the Kamado into cart.
- Be sure bottom vent is centered between the front legs and the grill is resting against the back legs.
- (Step 4a:) Lower fire bowl into grill, then place charcoal grate into the fire bowl.



- Place cooking grates onto grill with hinged section facing towards front of grill.
 - (Step 4b:) Close lid and press top vent onto grill with calibrations facing the front.
- Note: When using Gas Insert, the Top Vent must ALWAYS be locked fully open to position 3. See Owner's Manual for complete instructions.

Step 5: Handle and Side Shelf Mounting

- Remove the nuts and washers from the bolts welded on the top banding opposite the hinge.
- Remove paper washers and attach handle bracket over studs. On each stud place a flat washer and an acorn nut, then tighten (Step 5a).
- Remove outer screw from Left Front Bracket. Mount side shelves by inserting the shelf rod into the shelf bracket. Tilting the shelf up slightly and sliding in or out allows you to deploy or store the shelves. Reinstall screw back into Left Front Bracket (Step 5b).

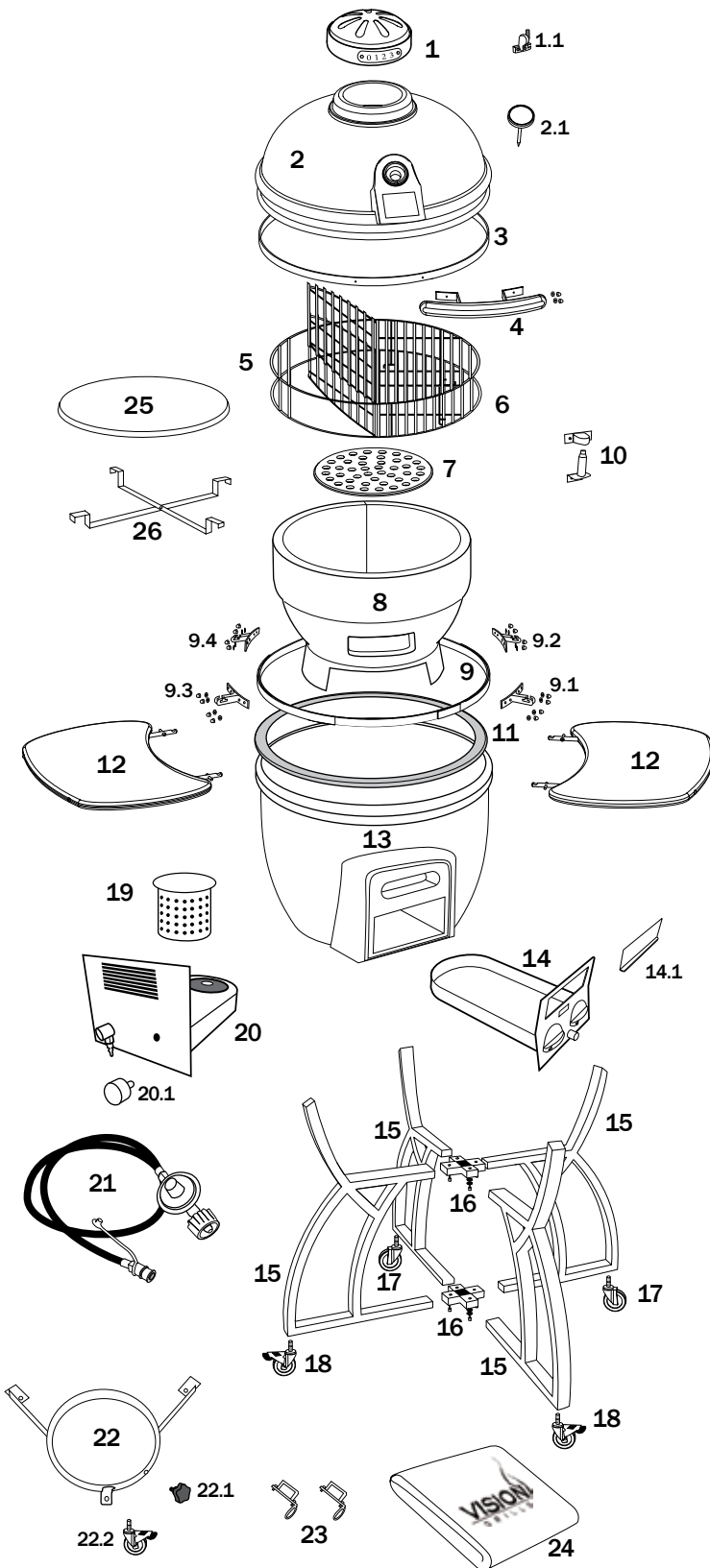


Long-Term Maintenance

- Cover your grill when not in use to extend life and maintain appearance.
- When moving grill always pull by the back hinge.

Visit
www.visiongrills.com/register
 to register your grill and
 view frequently asked questions

PARTS



PART NAMES

PART NUMBERS

1	Cast Iron Top Vent	VGK TV-CA-SP
1.1	Bakelite Tab with Stopper Pin	VGK TV-CA-TSP
2	Ceramic Dome Lid	VGC CDL-2
2.1	Thermometer	VGC IT
3	Top Ring Assembly	VGC RA1-L
4	Handle (with nuts & washers)	VGC HDL-L
5	Top Cooking Grate	VGC CGT-L
6	Bottom Cooking Grate	VGC CGB-L
7	Charcoal Grate	VGC CG-L
8	Fire Bowl	VGC FB-1
9	Bottom Ring Assembly	VGC RA2
9.1	Right Front Side Shelf Bracket (with nuts & washers)	VGC SB-RF
9.2	Right Back Side Shelf Bracket (with nuts & washers)	VGC SB-RB
9.3	Left Front Side Shelf Bracket (with nuts & washers)	VGC SB-LF-L
9.4	Left Back Side Shelf Bracket (with nuts & washers)	VGC SB-LB-L
10	Shock Absorber Assembly	VGC AC-L
11	Felt Gasket	VGC FLT-L
12	Wood Shelves (x2)	VGC WS-RR
13	Ceramic Dome Bottom	VGKP CDB-S
14	Ash Drawer Body	VGC ADS-PC
14.1	Bottom Draft Door Frame	VGC ADB-PCFD-L
15	Cart Leg (x4)	VGC CLEG-PC
16	"X" Leg Connectors (with bolts, washers & spring washers)	VGC XLC-L
17	Rubber Wheels (x2) Standard	VGC WHLS-L
18	Rubber Wheels (x2) Locking	VGC WHL-L-L
19	Infrared Heat Exchanger	VGC GPIHE
20	Gas Grill Burner Insert	VGC GPBI-S
20.1	Gas Grill Burner Insert Knob	VGC GPBIK
21	Gas Supply Line w/ Regulator	VGC GPSLR
22	Gas Tank Caddy	VGC GPTC-SS
22.1	Gas Tank Caddy Knob	VGC GPTCK
22.2	Gas Tank Caddy Rubber Wheel	VGC GPCWHL
23	Gas Supply Hose Bracket (x2)	VGC GPGSLC-2
24	Grill Cover	VGC GC-L
25	Lava Stone	VGK-101R
26	SS Stone Bracket	VGK-BRACKET