



VISIONTM
GRILLS

KAMADO CLASSIC P SERIES

GREAT TASTE...

EASY GRILLING



ENGLISH

WELCOME

Welcome to kamado cooking! You will never return to gas after tasting the difference! Our Vision Grills Kamado is based on 3,000+ years of clay pot cooking from around the world. Over generations our ancestors have continued to refine kamado techniques for grilling, smoking, baking and cooking all types of meats, poultry, fish and vegetables. Kamado cooking locks in moisture and provides a variety of ways to infuse different tastes into your foods that turns weekend grillers into neighborhood chefs.

Our Vision Grills Kamado builds on this heritage with fresh aesthetics, safety and convenience features, a user-friendly easy-lift lid with spring assist and high quality materials to define a new industry standard for design and innovation.

The thick ceramic construction of our grill provides superior thermal insulation allowing you to grill, cook, bake or smoke regardless of the season, from the hot summer days in our home town of St. Louis to the cold snowy days in Ottawa Canada.

In this manual we provide the basics to get you cooking and invite you to our website, www.visiongrills.com where we share recipes, detailed Use & Care information and contact information if you need more help.

From our entire team here at Vision Grills, thanks for your purchase and welcome to becoming the destination eatery in your neighborhood!

Model Number: P-6K6J1



COOKING WITH YOUR KAMADO

Your new Vision Grills Kamado is the complete outdoor cooking appliance that allows you to sear, grill, bake and smoke all types of food. For best results, we recommend using natural lump charcoal made from hardwoods. Compared to briquettes, natural charcoals start faster, burn cleaner and longer, reach higher temperatures and produce less ash. Left-over natural charcoal also relights for re-use. Before re-starting the grill, knock off excess ashes to any remaining charcoal. Routinely empty ashes, but only empty ashes when grill is cold.

Starting your Vision Kamado Grills is simple and fast: Open grill lid, open top and bottom vents wide open, fill the inner fire bowl with enough charcoal to just cover the air holes, then light the charcoal using either an electric starter or approved grill starters. After several coals are burning, spread evenly, close lid, adjust top and bottom vents, and wait for the Kamado to reach your desired cooking temperature.



KAMADO
CLASSIC
P SERIES



STARTING

Step 1: Measuring Charcoal

Set bottom vent wide open and open lid. Measure out the amount of charcoal needed. For grilling foods fill the fire bowl with enough charcoal to just cover the air holes. For smoking foods at low temperatures for longer periods of time (1.5 hours+) you will need to add a little more charcoal, up to approximately 2" (50 mm) above the same air holes. Use lump charcoal for best results.

Step 2: Starting Charcoal

Open top and bottom vents. Light charcoal using electric starter or chimney. Do not use lighter fluids. For best results, use lump charcoal.



Charcoal
Fill Level



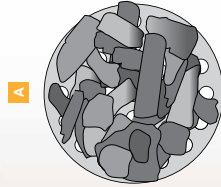
Electric Starter
(Sold Separately)

Step 3: Setting Temperature

When charcoal is ready level it out for even heat distribution. Close the lid. Set the top and bottom vents to the desired setting by referring to the Setting Temperature section in this manual that tells what number you want to use to attain the cooking temperature you want. Give your kamado 5-15 minutes to settle into the cooking temperature you want before you put food on the grill.

NOTE: If smoking, do not bring your temperature up above 200°F/93°C.

- A)** Spread hot charcoal evenly over grate.
- B)** Set top and bottom vents for cooking.
- C)** Let temperature stabilize.

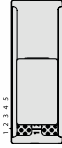


A



Top Vent

B



Bottom Vent

C



Step 4: Get Cooking

Use a wire grill brush to clean the cooking grate. That's it - you are ready for the cooking experience of your life. Go to our website for recipes.



**KAMADO
CLASSIC
P SERIES**

SETTING TEMPERATURE

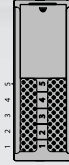
TOP VENT



SEARING

**500°+F
260°+C**

BOTTOM VENT



GRILLING

**300° – 450°F
149° – 233°C**



SMOKING

**225° – 250°F
107° – 221°C**



Vision Kamado Grills cooking temperatures are controlled by adjusting the calibrated top and bottom vents.

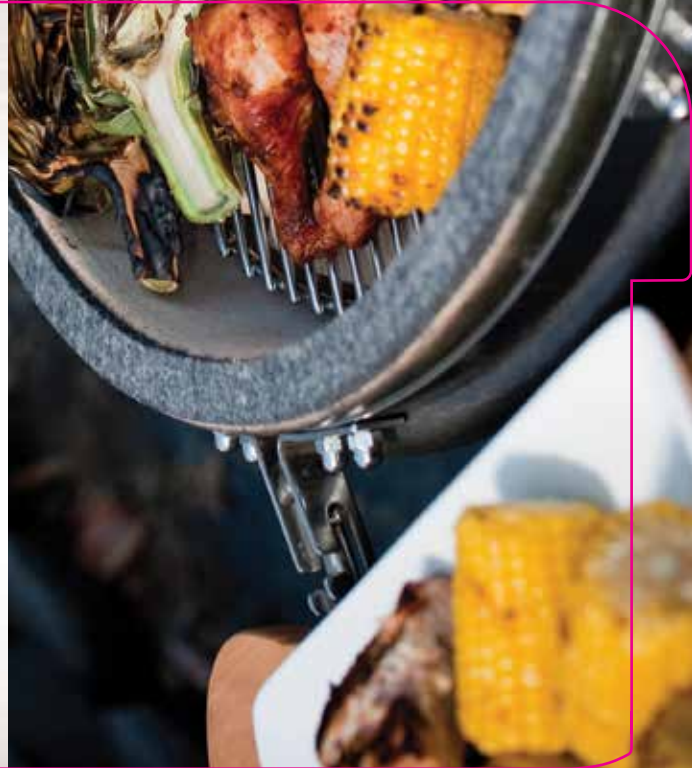
*Caution – Decide if you're cooking low and slow, then do not let the grill get too hot. Keep the temperature low, it takes hours to cool down.

Increasing air flow through top and bottom air vents increases cooking temperature, just as decreasing air flow slows the burn and lowers the cooking temperature. Closing both top and bottom vents starves the charcoal of oxygen and shuts down the fire.

*Caution - Continuous grilling at extreme high temperatures will cause the felt to burn.

Prevent Flare-Ups:

If the lid is lifted too quickly, oxygen will rush inside the grill causing a flare-up. To prevent a flare up, lift the lid 1”/25mm and count to three before fully opening the grill.



COOKING TEMPERATURE

SMOKING

	Size	Cooking Time	Grill Temp.
BEEF			
Roasts, Ribs	3-4 lb. (1.3-1.8 kg)	3-4 hours	225°F / 107°C
PORK			
Loin	2-4 lb. (5 kg)	2-3 hours	225°F / 107°C
Roasts	4.5 lb. (2 kg)	1.5-2.5 hours	225°F / 107°C
Ribs	Full Grate	3-4 hours	225°F / 107°C
POULTRY			
Chicken	4 lb. (1.8 kg)	1-2 hours	250°F / 121°C
Turkey	10-15 lb. (4.5-6.8 kg)	3-4.5 hours	250°F / 121°C

GRILLING

	Size	Cooking Time	Grill Temp.
BEEF			
Steaks	1" (2.5 cm) thick	3-4 min./side	160°F / 71°C
Kabobs	1" (2.5 cm) cubs	4-5 min./side	145-160°F / 63-71°C
Hamburger Patty	½" (12 mm) thick	3-4 min./side	160°F / 71°C
Sirloin Tip	3.5-4 Lb. (1.5-1.8 kg)	20-25 min./lb.	145-160°F / 63-71°C
Ribs	cut in 1-rib portions	10 min./side	160°F / 71°C
Tenderloin	half 2-3 lb. (0.9-1.3 kg)	10-12 min./side	145°F / 63°C
	whole, 4-6 lb. (1.8-2.7 kg)	12-15 min./side	160°F / 71°C
CHICKEN			
Breast halves, bone-in	6-8 oz. (170-226 g) each	10-15 min./side	170°F / 77°C
Breast halves, boneless	4 oz. (13 g) each	6-8 min./side	170°F / 77°C
Legs or thighs	4-8 oz. (113-226 g)	10-15 min./side	180°F / 82°C
Drumsticks	4 oz. (13 g)	8-12 min./side	180°F / 82°C
Wings	3 oz. (56-85 g)	8-12 min./side	180°F / 82°C

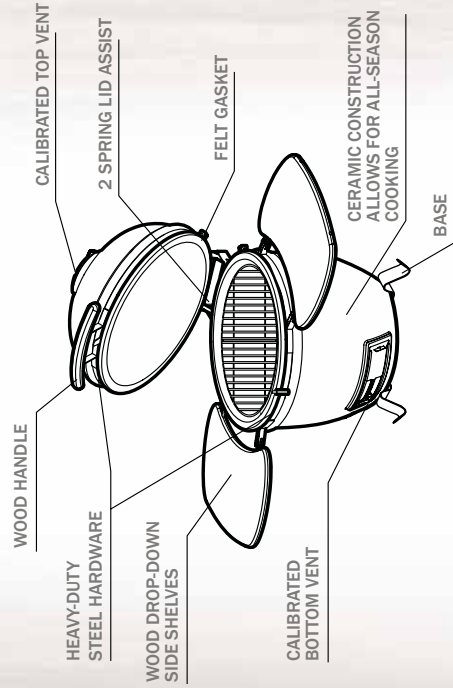


KAMADO
CLASSIC
P SERIES

All cooking times are approximate.



**KAMADO
CLASSIC
P SERIES**



WARRANTY

Subject to the following terms and conditions, Phase 2, LLC, d/b/a Vision Grills (“Vision Grills”) warrants to the original purchaser that the ceramic cooker manufactured or supplied by Vision Grills will be free from defects in material and workmanship under normal use for the following periods from the original date of purchase: limited lifetime for all ceramic parts, five (5) years for all metal parts, one (1) year for temperature gauge, gasket and cover, 90-days for side shelves, electric starter and lava stone. This Limited Lifetime Warranty is contingent upon purchaser registering the product at www.visiongrills.com/ register within 30 days from the date of purchase along with a copy of the original dated sales receipt which can be attached in an electronic format (i.e. scan, photograph, etc.) to your registration at www.visiongrills.com/register. Failure to do so will invalidate the warranty. Any chips or cracks in the finish of the ceramic cooker present at the time of purchase must be noted on the original dated sales receipt. This Warranty is not transferable to subsequent owners. If you cannot register online it will be necessary to contact Vision Grills customer service at (877) 917-4273 or email help@visiongrills.com.

If any product covered by this Warranty is defective due to a covered warranty condition, such product will, at the option of Vision Grills, be repaired to its original condition or replaced with a comparable new product or part. The repair and/or replacement of parts shall constitute the extent of the liability and obligations of Vision Grills under this Warranty. Purchaser is required to provide photographic evidence to assess the damage when submitting claim. Scratches, cracks, chips, dents, crazing, or minor cosmetic blemishes of the exterior glaze not affecting performance are not covered under warranty, as determined by Vision Grills.

This Warranty does not cover damages caused by improper assembly, improper care, failure to follow directions of use, misuse, abuse, negligence, extreme environmental conditions, normal wear and tear, accidents, acts of nature, or unauthorized repair, alteration or modification, as determined by Vision Grills. This Warranty does not apply to chips or cracks in the ceramic cooker which may occur after the ceramic cooker is purchased by the original purchaser. Vision Grills is not liable for any default or delay in its performance under this Warranty that is caused by any circumstances beyond its control. This Warranty will be invalidated if any liquids, including starter lighter fluid, are poured on or in the ceramic cooker. The protective coating of the ceramic cooker can be compromised by substances or conditions that are beyond Vision Grills’ control. While Vision Grills uses rust-resistant materials, the Warranty as to metal parts does not cover rust or oxidation unless the structural integrity of the ceramic cooker is compromised as determined by Vision Grills.

This Warranty does not cover purchases with unauthorized resellers and/or third parties. Warranty coverage is limited to products purchased at an authorized reseller only.

Commercial use and related applications are not covered under this Warranty. Warranty coverage is based on normal residential use and maintenance.

Vision Grills shall not be liable for any delay or default under this Warranty caused by any event or contingency beyond Vision Grills control. This includes acts of nature, fire, government restrictions or restraints, strikes, reduced supply of materials or transportation delays.

THIS WARRANTY IS THE EXCLUSIVE WARRANTY OF VISION GRILLS. VISION GRILLS EXPRESSLY DISCLAIMS ANY AND ALL OTHER WARRANTIES, EXPRESS OR IMPLIED, INCLUDING WARRANTIES OF FITNESS, MERCHANTABILITY, OR FITNESS FOR A PARTICULAR PURPOSE. THIS WARRANTY DOES NOT COVER, AND VISION GRILLS IS NOT LIABLE FOR, ANY DAMAGES RELATING TO LOSS OF TIME, LOSS OF USE OF EQUIPMENT, INCONVENIENCE, OR ANY INCIDENTAL, SPECIAL AND/OR CONSEQUENTIAL DAMAGES. PURCHASER’S EXCLUSIVE REMEDY FOR BREACH OF THIS WARRANTY SHALL BE LIMITED AS SPECIFIED HEREIN TO REPLACEMENT OR REPAIR OF THE AFFECTED PRODUCT.

Some states do not allow limitations on how long an implied warranty lasts or the exclusion or limitation of incidental or consequential damages, so the above limitations and exclusions may not apply to you. This Warranty gives you specific legal rights, and you may also have other rights which vary from state to state. Vision Grills does not authorize any person or entity to assume any obligation or liability on its behalf in connection with the sale and purchase of any of its products. The purchase of any Vision Grills product from anyone other than Vision Grills or an authorized dealer will void the Warranty associated with the product. If you have a question regarding the identity of an authorized dealer, you should contact Vision Grills before you purchase the product.

To submit a warranty claim, the original purchaser or authorized agent of the original purchaser must contact Vision Grills at (877) 917-4273 or contact Vision Grills via e-mail through the website at www.visiongrills.com or help@visiongrills.com.

VISION™

G R I L L S

KAMADO
CLASSIC
P SERIES



WARNING

PLEASE READ THE ENTIRE MANUAL BEFORE OPERATING YOUR VISION KAMADO GRILL. PLEASE KEEP THIS MANUAL FOR FUTURE REFERENCE.

ATTENTION! Use caution when cooking as grill surfaces get hot. To avoid burns, always use protective gloves to adjust top and bottom vents when grill is in use. Do not wear loose clothing near the grill.

For outdoor cooking use only. Do not operate grill indoors or in an enclosed space. Use grill only in well ventilated areas. Keep immediate area around the grill free from combustible materials. Allow for at least 3 feet/1 metre of clearance around grill (house, other outdoor products, hanging tree limbs, shrubs, etc.)

WARNING! Keep children and pets away from the grill at all times. Do not allow children to operate grill. Never leave grill unattended when in use.

Grill needs to be placed securely on a level base prior to use. Only operate grill on a hard, stable level surface (concrete patio, ground, etc.) capable of supporting the grill's weight when loaded with food. Never operate grill on wood support surface, wood deck or like combustible support surfaces under any conditions. Never attempt to move grill when in operation or cooling down. Never operate this grill within 25 feet/7.5 metres of any flammable liquid. Never operate this grill within 10 feet/3 metres of a gas cylinder. The grill should not be placed under combustible structures, such as garage, porch, patio, or carport. Burning charcoal gives off carbon monoxide, which has no odor and can cause death.

The use of alcohol, prescription or non-prescription drugs may impair the operator's ability to properly assemble or safely operate the grill. Do not use on boats or recreational vehicles.

CAUTION: Never use lighter fluid, gasoline, or other volatiles to start your charcoal, as is dangerous and they leave a residual taste in your food. Use utmost care when adding charcoal to grill. Electric start-up is recommended. Dispose of cooled ashes by placing them in aluminum foil, soaking with water and discarding in a non-combustible container.

When cooking above 500° F/260° C, with both top and bottom vents closed, rapidly opening the lid creates a sudden rush of oxygen into the grill which can cause a flare-up of flames. When in this cooking mode, we recommend that, prior to opening the lid, you open both top and bottom vents to allow oxygen to stabilize inside the grill before opening, minimizing the possibility of flare-ups.

ELECTRIC STARTER

Optional Accessory (Sold Separately)

USE

STARTING GRILL:

- Step 1:** Remove primary cooking grate.
- Step 2:** Fill interior fire bowl with desired amount of charcoal. Recommended to fill fire bowl with enough charcoals to just cover the air holes.
- Step 3:** Replace primary cooking grate.
- Step 4:** Place electric starter into charcoal.
- Step 5:** Plug in electric starter.
- Step 6:** When bottom charcoal is visibly glowing; unplug electric starter.
- Step 7:** Carefully remove electric starter from grill and place in inaccessible area to avoid burn risk.

WARNING

ELECTRIC STARTER WILL ACHIEVE
EXTREMELY HIGH TEMPERATURES



VISION™
GRILLS

KAMADO SERIE CLÁSICA P

**FORMIDABLE
SABOR...**

FÁCIL ASADO



ESPAÑOL

BIENVENIDO

¡Bienvenido al placer de cocinar con kamado! ¡Ya nunca regresará al gas después de probar la diferencia! Nuestros asadores Vision Grills Kamado se basan en más de 3 mil años de cocción en potes de arcilla en todo el mundo. Por muchas generaciones, nuestros antepasados refinaron las técnicas kamado para asar a la parrilla, ahumar y cocinar todo tipo de carnes, aves, pescados y vegetales. La cocción por kamado sella toda la humedad y ofrece una variedad de métodos para infundir diferentes sabores a sus comidas que convierten a los parrilleros de fines de semanas en chefs del vecindario.

Nuestros asadores Vision Grills Kamado se apoyan en esa tradición con una nueva estética, funciones de protección y conveniencia, una cómoda tapa con auxiliares de resortes que se levanta fácilmente, y materiales de alta calidad que definen una nueva norma en la industria en diseño e innovación. La gruesa construcción de cerámica de nuestro asador ofrece

un aislamiento térmico superior que le permite asar a la parrilla, cocer o ahumar independientemente de la temporada del año, desde los cálidos días del verano en nuestra ciudad natal de St. Louis a las frías tardes nevadas de Ottawa, Canadá.

En este manual incluimos los fundamentos para que usted empiece a cocinar y le invitamos a que visite nuestro sitio de Internet www.visiongrills.com, donde compartimos fabulosas recetas, información detallada de uso y cuidado de su asador, así como vías de contacto por si usted necesita ayuda adicional.

Todo nuestro equipo aquí en Vision Grills le agradece su compra y le da la bienvenida por convertirse en ¡el sitio favorito para comer en su propio vecindario!



Número de modelo: P-6K6J1

LA COCCIÓN CON SU KAMADO

Su nuevo Kamado de Vision Grills es el equipo completo de cocción al aire libre que le permite dorar, asar a la parrilla y ahumar todo tipo de alimentos. Para mejores resultados, le recomendamos usar carbón natural a granel hecho de maderas duras. Comparado con las briquetas, los carbones naturales prenden con más rapidez, queman más limpio, alcanzan mayores temperaturas y producen menos cenizas. Además, las sobras de carbón natural pueden volver a usarse. Antes de encender de nuevo el asador, dé golpecitos al carbón para desprender el exceso de ceniza. Vacíe el asador de cenizas con regularidad, pero solamente cuando el asador esté frío.

Encender su asador Vision Kamado es rápido y sencillo: abra la tapa del asador, abra bien los respiraderos superior e inferior, llene el fogón con suficiente carbón como para cubrir las ventanillas, prenda el carbón con un encendedor eléctrico u otro encendedor aprobado para asadores. Cuando varios carbones estén ardiendo, espárzalos uniformemente, cierre la tapa, ajuste los respiraderos superior e inferior y espere a que el Kamado alcance la temperatura de cocción deseada. Si es necesario, agregue más carbón con la función de parrilla volteadora, siempre cuidando de no quemarse con la comida o la parrilla caliente.

VISION[™]
GRILLS

KAMADO
SERIE
CLÁSICA P



ENCENDIDO

Paso 1: Medida del Carbón

Abra completamente el respiradero inferior y levante la tapa. Mida la cantidad de carbón que necesita. Para comidas a la parrilla, eche en el fogón el carbón suficiente para cubrir las ventanillas. Para comidas ahumadas a bajas temperaturas por un tiempo más largo (1.5 horas o más) necesitará añadir un poco más de carbón, hasta aproximadamente 2" (50 mm) por encima de las mismas ventanillas. Ya medido, apile carbón en la cavidad perforada de encendido de acero inoxidable. Use carbón a granel o en trozos para mejores resultados.

Paso 2: Encendido del Carbón

Abra los respiraderos superior e inferior. Encienda el carbón utilizando un encendedor eléctrico o chimenea. No use fluidos de encendido. Para mejores resultados, use carbón a granel o en trozos.

1



Nivel de llenado
del carbón

2



Encendedor eléctrico
(Se vende por separado)

Paso 3: Ajuste de la Temperatura

Cuando el carbón esté listo, nivélelo para que la distribución del calor sea uniforme. Cierre la tapa. Ajuste los respiraderos superior e inferior a los valores deseados consultando la sección de Ajuste de la Temperatura de este manual, que dice el número de calibraciones que deben usarse para obtener la temperatura de cocción que usted desea. Espere de 5 a 15 minutos para que su kamado se adapte a la temperatura de cocción que usted desea antes de colocar sus alimentos en la parrilla.

NOTA: Si echa humo, no eleve la temperatura a más de 200°F/93°C.

- A)** Esparza el carbón ardiendo uniformemente sobre la rejilla.
- B)** Ajuste los respiraderos superior e inferior para la cocción.
- C)** Deje que la temperatura se estabilice.

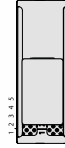
A



B



Respiradero
superior



Respiradero
inferior

C



Paso 4: A Cocinar

Para limpiar la parrilla de cocción, use un cepillo de alambre para asadores. Eso es todo: ya está listo para la mejor experiencia de cocción de su vida. Busque recetas en nuestro sitio web.

AJUSTE DE LA TEMPERATURA

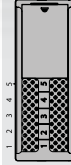
RESPIRADERO SUPERIOR

DORADO



**500°+F
260°+C**

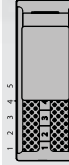
RESPIRADERO INFERIOR



A LA PARRILLA



**300°- 450°F
149°- 233°C**



AHUMADOS



**225°- 250°F
107°- 221°C**



Las temperaturas de cocción de los asadores Vision Kamado se controlan ajustando los respiraderos calibrados superior e inferior.

*Precaución - Decida si va a cocer lentamente y a baja temperatura y, entonces, no permita que el asador se caliente demasiado. Mantenga baja la temperatura, porque demora horas en enfriarse.

El incremento del flujo de aire en los respiraderos superior e inferior aumenta la temperatura de cocción, y reducir el flujo demora la combustión y reduce la temperatura de cocción. Si se cierran los dos respiraderos se corta la entrada de oxígeno al carbón y el fuego se extingue.

*Precaución - Asar constantemente a altas temperaturas provocará que se quemé el fieltro.

Cómo evitar las llamaradas:

Si se levanta la tapa de repente, el oxígeno entra súbitamente al interior del asador y provoca 1"/25mm llamarada. Para evitar las llamaradas, levante la tapa una pulgada y cuente hasta tres antes de abrir completamente el asador.



TEMPERATURAS DE COCCIÓN

AHUMADOS

	Tamaño	Tiempo de cocción	Temp.
CARNE DE RES			
Costillas asadas	3-4 lb. (1.3-1.8 kg)	3-4 horas	225°F / 107°C
CERDO			
Lomo	2-4 lb. (5 kg)	2-3 horas	225°F / 107°C
Asados	4.5 lb. (2 kg)	1.5-2.5 horas	225°F / 107°C
Costillas	Parrilla completa	3-4 horas	225°F / 107°C
AVES			
Pollo	4 lb. (1.8 kg)	1-2 horas	250°F / 121°C
Pavo	10-15 lb. (4.5-6.8 kg)	3-4.5 horas	250°F / 121°C

A LA PARRILLA

	Tamaño	Tiempo de cocción	Temp.
CARNE DE RES			
Bistecs	1" (2.5 cm) de grueso	3-4 min./por lado	160°F / 71°C
Brochetas	Trozos de 1" (2.5 cm)	4-5 min./por lado	145-160°F / 63-71°C
Hamburguesa	½" (12 mm) de grueso	3-4 min./por lado	160°F / 71°C
Puntas de filete	3.5-4 Lb. (1.5-1.8 kg)	20-25 min./lb.	145-160°F / 63-71°C
Costillas	cortadas en por. de 1 costilla	10 min./por lado	160°F / 71°C
Solomillo	mitad 2-3 lb. (0.9-1.3 kg)	10-12 min./por lado	145°F / 63°C
	entero, 4-6 lb. (1.8-2.7 kg)	12-15 min./por lado	160°F / 71°C
POLLO			
½ pechugas, con hueso	6-8 oz. (170-226 g) c/u	10-15 min./por lado	170°F / 77°C
½ pechugas, sin hueso	4 oz. (113 g) c/u	6-8 min./por lado	170°F / 77°C
Muslos o contramuslos	4-8 oz. (113-226 g)	10-15 min./por lado	180°F / 82°C
Muslos	4 oz. (113 g)	8-12 min./por lado	180°F / 82°C
Alas	3 oz. (85 g)	8-12 min./por lado	180°F / 82°C

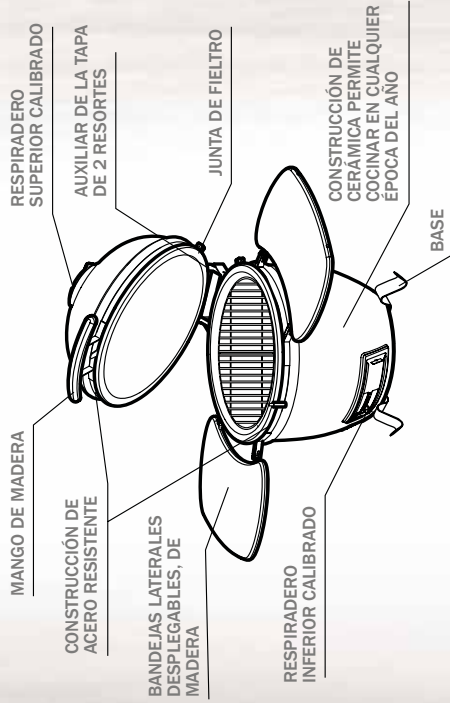
Todos los tiempos de cocción son aproximados.



KAMADO
SERIE
CLÁSICA P

VISION™
GRILLS

KAMADO
SERIE CLÁSICA P



GARANTÍA

Sujeto a los siguientes términos y condiciones, Phase 2, LLC, que comercia bajo el nombre de Vision Grills ("Vision Grills"), otorga al comprador original que el equipo de cocción de cerámica fabricado o distribuido por Vision Grills estará libre de defectos de materiales y mano de obra bajo uso normal, por los siguientes períodos a partir de la fecha original de compra: la garantía limitada de por vida para todas las piezas de cerámica, cinco (5) años para todas las piezas metálicas, un (1) año para indicador de temperatura, junta y cubierta y 90 días para las bandejas laterales, arranque eléctrico y piedra volcánica. Esta Garantía Limitada está condicionada a que el comprador registre el producto en www.visiongrills.com/register dentro de los 30 días siguientes a la fecha de compra junto con una copia del recibo de venta original que pueda adjuntarse en formato electrónico (por ejemplo: escaneado, fotografiado, etc.) al registro en www.visiongrills.com/register. No hacerlo invalidará la garantía. Cualquiera descascaramiento o grieta en el acabado de la cerámica del asador que sea visible en el momento de la compra debe indicarse en el recibo de venta original con su fecha. Esta Garantía no es transferible a propietarios subsiguientes. Si usted no puede registrarse por Internet, es necesario que contacte al servicio de atención al cliente de Vision Grills por el teléfono (877) 917-4273 o el correo electrónico help@visiongrills.com.

Si algún producto cubierto por esta Garantía es defectuoso debido a una condición cubierta por la misma, dicho producto, a opción de Vision Grills, será reparado a su estado original o reemplazado por uno nuevo comparable o con la pieza requerida. La reparación y/o el reemplazo de piezas será una extensión de la responsabilidad y obligaciones de Vision Grills bajo esta Garantía. Se requiere al comprador que, al remitir la reclamación aporte prueba fotográfica para evaluar el daño. Las rayas, grietas, descascaramientos, abolladuras, rajaduras y defectos cosméticos menores del esmalte exterior que no afecten el desempeño no están cubiertos por esta garantía, según lo determine Vision Grills.

Esta Garantía no cubre ningún daño causado por mal ensamblaje, descuido, no seguir las instrucciones de uso, abuso, negligencia, alteraciones, condiciones ambientales extremas, desgaste normal, accidentes, desastres naturales, o reparaciones, alteraciones o modificaciones no autorizadas, según lo determine Vision Grills. Esta Garantía no se aplica a descascaramientos o grietas en el asador de cerámica que puedan ocurrir después de que el producto sea adquirido por el comprador original. Vision Grills no es responsable de incumplimientos o retrasos en su desempeño bajo esta Garantía, que sean el resultado de circunstancias más allá de su control. Esta Garantía quedará invalidada si algún fluido, entre ellos fluido de encendedores, se vierte sobre o en el asador de cerámica. La capa protectora del asador de cerámica puede afectarse con sustancias o condiciones que están más allá del control de Vision Grill. Aunque Vision Grills usa materiales resistentes a la corrosión, la Garantía para las piezas metálicas no cubre la corrosión u oxidación, a menos que la integridad estructural del asador de cerámica quede comprometida según lo determine Vision Grills.

Esta garantía no cubre adquisiciones a través de terceros ni de revendedores no autorizados. La cobertura de la garantía se limita solo a productos adquiridos de revendedores autorizados.

El uso comercial y sus aplicaciones relacionadas no están cubiertos por esta garantía. La cobertura de la garantía se basa en el uso residencial y mantenimiento normales.

Vision Grills no será responsable por ninguna demora o incumplimiento, bajo esta garantía, causado por evento o contingencia más allá del control de Vision Grills. Esto incluye desastres naturales, incendios, restricciones o impedimentos gubernamentales, huelgas, reducción del suministro de materiales o demoras de transporte.

ESTA GARANTÍA ES LA GARANTÍA EXCLUSIVA DE VISION GRILLS. VISION GRILLS NIEGA EXPRESAMENTE CUALQUIERA Y TODA OTRA GARANTÍA, EXPRESA O IMPLÍCITA, COMO GARANTÍAS DE IDONEIDAD, COMERCIALIZACIÓN, O IDONEIDAD PARA UN FIN PARTICULAR. ESTA GARANTÍA NO CUBRE, Y VISION GRILLS NO ES RESPONSABLE DE NINGÚN DAÑO RELACIONADO CON PÉRDIDA DE TIEMPO, PÉRDIDAS DE USO, INCONVENIENCIAS, O CUALQUIER OTRO DAÑO INCIDENTAL, ESPECIAL Y/O RESULTANTE DEL USO DEL EQUIPO. EL ÚNICO REMEDIO DEL COMPRADOR POR LA VIOLACIÓN DE ESTA GARANTÍA ESTARÁ LIMITADO, TAL COMO SE ESPECIFICA EN LA PRESENTE, AL REEMPLAZO O LA REPARACIÓN DEL PRODUCTO AFECTADO.

Algunos estados no permiten limitaciones sobre la duración de una garantía implícita o la exclusión o limitación de los daños incidentales o resultantes, de manera que las limitaciones y exclusiones mencionadas anteriormente pudieran no ser aplicables en su caso. Esta Garantía le otorga derechos legales específicos y usted también podría tener otros derechos que varían según el estado. Vision Grills no autoriza a ninguna persona o entidad a presumir ninguna obligación o responsabilidad a su favor relacionada con la venta o la compra de alguno de sus productos. La compra de cualquier producto Vision Grills que no sea a través de Vision Grills o de un concesionario autorizado, anulará la Garantía asociada con ese producto. Si usted tiene alguna pregunta concerniente a la identidad de un concesionario autorizado, deberá contactar a Vision Grills antes de comprar el producto.

Para someter una reclamación de garantía, el comprador original o el agente autorizado del comprador original deberá contactar a Vision Grills a través del teléfono (877) 917-4273 o por correo electrónico en el sitio web www.visiongrills.com o help@visiongrills.com.

VISION™
GRILLS
KAMADO™
SERIE
CLÁSICA P



ADVERTENCIA

LEA TODO EL MANUAL ANTES DE OPERAR SU ASADOR VISION KAMADO. GUARDE ESTE MANUAL PARA CONSULTARLO EN EL FUTURO.

¡ATENCIÓN! Sea precavido al cocinar porque las superficies del asador se calientan. Para evitar quemaduras, use siempre guantes protectores para ajustar los respiraderos de arriba y abajo cuando el asador esté en uso. No use ropa holgada cerca del asador.

Solamente para cocinar en exteriores. No opere el asador en interiores o en espacios cerrados. Solamente use el asador en áreas bien ventiladas. Toda el área alrededor del asador debe estar libre de materiales inflamables. Deje un espacio despejado de al menos 3 pies/1 metro alrededor del asador (de la casa, otros productos de exteriores, ramas de árboles colgantes, arbustos, etc.)

¡ADVERTENCIA! Mantenga a los niños y las mascotas alejados del asador todo el tiempo. No permita que los niños operen el asador. Nunca deje el asador sin atención cuando esté en uso.

El asador debe colocarse firme sobre una base nivelada antes de usarlo. Solamente opere el asador sobre una superficie dura y estable (un patio de concreto, la tierra, etc.) capaz de soportar su peso cuando esté lleno de alimentos. Nunca opere el asador sobre una base de apoyo de madera, una terraza de madera u otras superficies inflamables, bajo ninguna circunstancia. Nunca trate de mover el asador cuando esté funcionando o se esté enfriando. Nunca opere este asador a 25 pies/7.5 metros de algún fluido inflamable. Nunca opere este asador a 10 pies/3 metros de un cilindro de gas. El asador no debe colocarse bajo estructuras inflamables como garaje, porche, patio o cochera. El carbón quemado libera monóxido de carbono, el cual es inodoro y puede provocar la muerte.

El uso de bebidas alcohólicas y medicamentos con o sin receta puede afectar la capacidad del operador de armar u operar adecuadamente el asador. No lo use en botes ni en vehículos de recreación.

ADVERTENCIA: Nunca use fluido de encendedores, gasolina u otros compuestos volátiles para encender el carbón, ya que son peligrosos y dejan un sabor residual en la comida. Tenga un cuidado extremo cuando agregue carbón al asador. Se recomienda el encendedor eléctrico. Elimine las cenizas frías colocándolas en papel de aluminio, humedeciéndolas con agua y botándolas en un recipiente no inflamable.

Quando cocine por encima de los 500° F/260° C, con los respiraderos superior e inferior cerrados, abrir la tapa de repente crea una entrada súbita de oxígeno al asador que puede causar una llamarada. En esta modalidad de cocción, recomendamos que antes de abrir la tapa, abra primero los dos respiraderos superior e inferior, para permitir que el oxígeno se estabilice dentro del asador, lo que minimiza la posibilidad de llamaradas.

**VISION™**
GRILLS
KAMADO
SERIE
CLÁSICA P

ENCENDEDOR ELÉCTRICO

(Se vende por separado)

USO

ENCENDIDO DEL ASADOR:

- Paso 1:** Retire la parrilla de cocción principal.
- Paso 2:** Llene el interior del fogón con la cantidad de carbón deseada. Se recomienda llenar el fogón con la cantidad de carbón suficiente para apenas cubrir las ventanillas.
- Paso 3:** Vuelva a colocar la parrilla de cocción principal.
- Paso 4:** Introduzca el encendedor eléctrico en el carbón.
- Paso 5:** Conecte el encendedor eléctrico.
- Paso 6:** Cuando el carbón de abajo esté ardiendo visiblemente, desconecte el encendedor eléctrico.
- Paso 7:** Retire cuidadosamente el encendedor eléctrico de la parrilla y colóquelo en un área inaccesible para evitar quemaduras.

ADVERTENCIA

EL ENCENDEDOR ELÉCTRICO ALCANZARÁ
TEMPERATURAS EXTREMADAMENTE ALTAS



VISION™
GRILLS

KAMADO
SERIE
CLÁSICA P





VISIONTM
GRILLS

KAMADO CLASSIC SÉRIE P

GOÛT DÉLICIEUX...

GRILLADE FACILE



BIENVENUE

Bienvenue à la cuisine Kamado! Vous ne retournerez plus jamais au gaz après avoir goûté la différence! Le gril Kamado de Vision Grills est le fruit de plus de 3000 ans d'histoire de cuisson dans des récipients en argile dans le monde entier. Au fil des générations, nos ancêtres ont continué à raffiner les techniques Kamado pour griller, fumer et cuire tous types de viande, volaille, poisson et légume. La cuisson Kamado conserve les jus de cuisson à l'intérieur, et offre de multiples façons d'infuser différents goûts à votre nourriture, transformant en véritables chefs les cuisiniers du dimanche.

Le Kamado de Vision Grills est bâti à partir de cet héritage, avec un aspect moderne, des caractéristiques de sécurité et de commodité, un couvercle facile à lever assisté par des ressorts et des matériaux de haute qualité définissant un nouveau standard dans l'industrie pour la conception et l'innovation.

Notre gril fabriqué en céramique épaisse assure une isolation thermique supérieure, qui vous permet de griller, cuire ou fumer, peu importe la saison et ce, des chaudes journées d'été dans notre ville de St-Louis aux journées d'hiver enneigées à Ottawa au Canada.

Dans ce manuel, nous vous donnons les techniques de base vous permettant de cuisiner avec notre produit et nous vous invitons à visiter notre site Internet www.visiongrills.com, où nous partageons des recettes, des informations d'utilisation et d'entretien détaillées, ainsi que des coordonnées au cas où vous auriez besoin d'aide.

L'équipe de Vision Grills vous remercie de votre achat et souhaite que votre cuisine devienne la meilleure de votre voisinage!

Numéro de modèle : P-6K6J1



CUISINER AVEC VOTRE KAMADO

Votre nouveau gril Kamado de Vision Grills est l'appareil de cuisson en plein air par excellence; il vous permet de saisir, griller, cuire et fumer tout type d'aliment. Pour obtenir de meilleurs résultats, nous vous recommandons d'utiliser du charbon de bois dur naturel en blocs. Lorsqu'on le compare aux briquettes, le charbon de bois naturel s'allume plus rapidement, brûle plus proprement, atteint des températures plus élevées et produit moins de cendres. Les restes de charbon de bois naturel peuvent être allumés de nouveau et ainsi réutilisés. Avant d'allumer de nouveau le gril, enlever le surplus de cendre du charbon de bois restant. Enlever les cendres régulièrement, mais seulement lorsque le gril a refroidi.

Il est facile et rapide d'allumer votre gril Kamado de Vision Grills: Pour ce faire, ouvrir le couvercle du gril, ouvrir complètement les événements supérieurs et inférieurs, remplir avec suffisamment de charbon de bois le fond intérieur du gril de sorte à recouvrir tout juste les trous d'aération, puis allumer le charbon de bois à l'aide de l'allumeur électrique ou d'un allumeur pour gril approuvé.

VISION[™]
GRILLS

KAMADO
CLASSIC
SÉRIE P



ALLUMER

Étape 1: Mesurer le charbon de bois

Mettre l'évent supérieur en position grande ouverte et ouvrir le couvercle. Mesurer la quantité de charbon de bois nécessaire. Pour griller de la nourriture, remplir le panier à braise avec juste assez de charbon de bois pour couvrir les trous d'aération. Pour fumer la nourriture à basse température sur une plus longue période (1h30 et plus), vous devrez ajouter un peu plus de charbon de bois, jusqu'à environ 50 mm (2 po) au-dessus des trous d'aération. Pour obtenir de meilleurs résultats, utilisez du charbon de bois en morceaux.

Étape 2: Allumer le charbon de bois

Ouvrir les événements supérieur et inférieur. Allumer le charbon de bois au moyen de l'allumeur électrique ou par la cheminée. Ne pas utiliser d'essence pour briquet. Pour obtenir de meilleurs résultats, utiliser du charbon de bois en morceaux.



Niveau de remplissage du charbon de bois

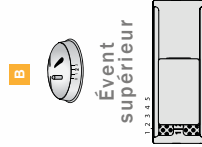
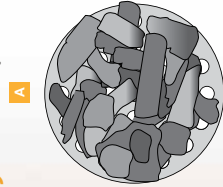
Allumeur électrique (vendue séparément)

Étape 3: Régler la température

Lorsque le charbon de bois est prêt, l'étendre pour permettre la distribution uniforme de la chaleur. Fermer le couvercle. Régler les événements supérieurs et inférieurs au réglage souhaité, en consultant la section Réglage de la température de ce manuel, qui indique quel numéro d'étalement utiliser pour obtenir la température de cuisson voulue. Laisser le Kamado s'ajuster à la température de cuisson voulue (entre 5 et 15 minutes) avant de mettre de la nourriture sur le grill.

REMARQUE: Si vous fumez des aliments, ne laissez pas la température dépasser 93 °C / 200 °F.

- A)** Répartir uniformément le charbon de bois chaud sur la grille.
- B)** Régler les événements supérieurs et inférieurs pour la cuisson.
- C)** Attendre que la température se stabilise.



Étape 4: Cuisson

Utiliser une brosse à grill métallique pour nettoyer la grille de cuisson. Ça y est! – vous êtes prêt pour l'expérience de cuisson de votre vie. Rendez-vous sur notre site internet pour des recettes.

RÉGLAGE DE LA TEMPÉRATURE

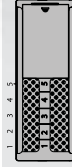
ÉVENT SUPÉRIEUR



SAISIR

**500 °F et plus
260 °C et plus**

INFÉRIEUR CALIBRÉ



GRILLER

**300 ° – 450 °F
149 ° – 233 °C**



FUMER

**225 ° – 250 °F
107 ° – 221 °C**



La température de cuisson du grill Kamado de Vision Grills peut être contrôlée au moyen des événements gradués supérieur et inférieur.

*Avertissement – Décidez si vous allez faire cuire les aliments à basse température et lentement et si oui, ne laissez pas le grill devenir trop chaud. Maintenez la température basse car plusieurs heures sont nécessaires au grill pour refroidir.

Augmenter la circulation d'air entre les événements supérieurs et inférieurs accroît la température, tandis que la diminuer ralentit la combustion et fait baisser la température. La fermeture des deux événements privera le charbon d'oxygène et éteindra le feu.

*Avertissement – Si vous utilisez le grill à de très hautes températures pendant des périodes prolongées, alors le feutre peut brûler.

Prévenir des poussées de flammes :

Si le couvercle est soulevé trop rapidement, l'oxygène se précipitera à l'intérieur du grill, ce qui causera une poussée de flammes. Pour prévenir la poussée de flammes, soulever le couvercle de 2,5 cm (1 po) et compter jusqu'à trois avant d'ouvrir complètement le grill.



TEMPÉRATURE DE CUISSON

FUMER

	Poids/Taille	Temps de cuisson	Temp.
BŒUF			
Rôtis, côtes	1,3 - 1,8 kg (3 - 4 lb)	3 à 4 heures	107 °C / 225 °F
PORC			
Longe	5 kg (2 - 4 lb)	2 à 3 heures	107 °C / 225 °F
Rôtis	2 kg (4,5 lb)	1 ½ à 2 ½ heures	107 °C / 225 °F
Côtes	Grille pleine	3 à 4 heures	107 °C / 225 °F
VOLAILLE			
Poulet	1,8 kg (4 lb)	1 à 2 heures	121 °C / 250 °F
Dinde	4,5 - 6,8 kg (10 - 15 lb)	3 à 4 ½ heures	121 °C / 250 °F

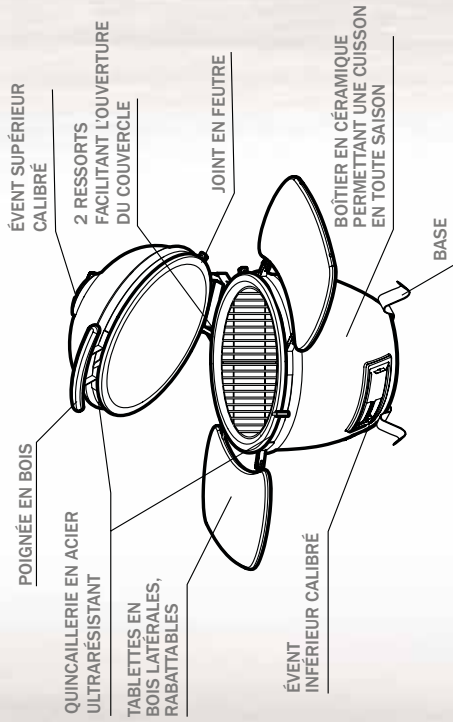
GRILLER

	Poids/Taille	Temps de cuisson	Temp.
BŒUF			
Steaks	2,5 cm (1 po) d'épaisseur	3 à 4 min de chaque côté	71 °C / 160 °F
Brochettes	cubes de 2,5 cm (1 po)	4 à 5 min de chaque côté	63-71 °C / 145-160 °F
Hamburger	12 mm (0,5 po) d'épaisseur	3 à 4 min de chaque côté	71 °C / 160 °F
Pointe de surlonge	1,5 - 1,8 kg (3,5 - 4 lb)	44 à 55 min par kg (20 à 25 min par lb)	63-71 °C / 145-160 °F
Côtes	portions de 1 côte	10 min de chaque côté	71 °C / 160 °F
Filet mignon	moitié, 0,9 - 1,3 kg (2 - 3 lb)	10 à 12 min de chaque côté	63 °C / 145 °F
	entier, 1,8 - 2,7 kg (4 - 6 lb)	12 à 15 min de chaque côté	71 °C / 160 °F
POULET			
Demi-poitrine, avec os	170 - 226 g (6 - 8 oz) pièce	10 à 15 min de chaque côté	77 °C / 170 °F
Demi-poitrine, désossée	113 g (4 oz) pièce	6 à 8 min de chaque côté	77 °C / 170 °F
Cuisses ou hauts de cuisse		113 - 226 g (4 - 8 oz)	10 à 15 min de chaque côté
			82 °C / 180 °F
Pilons	113 g (4 oz)	8 à 12 min de chaque côté	82 °C / 180 °F
Ailes	56 - 85 g (2 - 3 oz)	8 à 12 min de chaque côté	82 °C / 180 °F

Tous les temps de cuisson sont approximatifs.



KAMADO
CLASSIC
SÉRIE P



GARANTIE

Sujet aux modalités suivantes, Phase 2, LLC, d/b/a Vision Grills (« Vision Grills ») garantit à l'acheteur initial que le cuiseur en céramique fabriqué ou distribué par Vision Grills sera exempt de défauts dans les pièces et la main d'œuvre lors d'une utilisation normale pour les périodes suivantes après la date d'achat original : A vie pour les pièces de céramique, cinq (5) ans pour toutes les pièces métalliques, un (1) an pour l'indicateur de température, 90 jours pour les tablettes latérales, l'allumeur électrique et la pierre volcanique. Cette garantie limitée sera valide si l'acheteur enregistre le produit sur www.visiongrills.com/register dans les 30 jours suivant la date de l'achat, et joint une copie de la facture originale (celle-ci peut être attachée en format électronique (c.-à-d. numérisée, photographiée, etc.) lors de l'enregistrement sur le site www.visiongrills.com/register. À défaut de quoi, la garantie sera invalide. Tout éclat ou fissure dans le fini du cuiseur en céramique présent au moment de l'achat doit être noté sur la facture d'achat originale. Cette garantie n'est pas transférables aux propriétaires subséquents. Si vous ne pouvez l'enregistrer en ligne, vous devez communiquer avec le service à la clientèle au (877) 917-4273 ou par courriel à help@visiongrills.com.

Si tout produit couvert pas la garantie est défectueux à cause d'une condition couverte par la garantie, ledit produit sera, au choix de Vision Grills, réparé pour le remettre en son état initial ou remplacé par un nouveau produit ou pièce comparable. La réparation et/ou le remplacement des pièces défectueuses constitue l'étendue des responsabilités et obligations de la part de Vision Grills pour cette garantie. L'acheteur doit fournir une preuve photographique pour évaluer les dommages lors du dépôt d'une réclamation.

Les égratignures, fissures, éclats, bosses, fendillements ou autres imperfections cosmétiques mineures qui n'affectent pas la performance ne sont pas couverts par la garantie, tel que déterminé par Vision Grills.

Cette garantie ne couvre pas les dommages causés par le mauvais assemblage, le mauvais entretien, le non-respect des instructions, la mauvaise utilisation, la négligence, les conditions environnementales extrêmes, l'usure normale, les accidents, les cas de force majeure, les réparations non autorisées, les alterations ou modifications, tel que déterminé par Vision Grills. La garantie ne s'applique pas aux éclats ou fissures dans le cuiseur en céramique pouvant se produire après l'achat du cuiseur en céramique par l'acheteur initial. Vision Grills n'est pas tenu responsable de tout défaut ou délai de performance sous cette garantie causé par des circonstances hors de son contrôle. Cette garantie ne sera pas valide si des liquides, incluant du liquide combustible d'allumage, sont versés sur ou à l'intérieur du cuiseur en céramique. La couche protectrice du cuiseur de céramique peut être compromise par des produits ou des conditions qui sont hors du contrôle de Vision Grills. Bien que Vision Grills utilise des matériaux résistant à la rouille, la garantie des pièces métalliques ne couvre pas la rouille ou l'oxydation à moins que l'intégrité de la structure du cuiseur en céramique ne soit compromise tel que déterminé par Vision Grills.

Cette garantie ne couvre pas les achats auprès de détaillants ou de tierces parties non autorisés. La couverture de la garantie se limite aux produits achetés chez un détaillant autorisé seulement.

L'utilisation commerciale et les applications connexes ne sont pas couvertes par cette garantie. La couverture de la garantie est basée sur une utilisation domestique et un entretien normal.

Vision Grills n'est pas responsable pour tout retard ou défaut en vertu de cette garantie causé par des événements ou des circonstances hors du contrôle de Vision Grills. Ceci comprend les cas de force majeure, le feu, les restrictions gouvernementales, les grèves, les stocks réduits de matériaux ou les retards dans le transport.

CETTE GARANTIE EST LA GARANTIE EXCLUSIVE DE VISION GRILLS. VISION GRILLS REJETTE EXPRESSÉMENT TOUTE AUTRE GARANTIE, EXPRESSE OU IMPLICITE, INCLUANT LES GARANTIES DE BON FONCTIONNEMENT, DE VALEUR MARCHANDE OU DE BON FONCTIONNEMENT POUR UN USAGE PARTICULIER, CETTE GARANTIE NE COUVRE PAS, ET VISION GRILLS NE SERA PAS TENU RESPONSABLE DE : TOUT DOMMAGE RELIÉ À UNE PERTE DE TEMPS, TOUTE PERTE D'UTILISATION D'ÉQUIPEMENT, TOUT INCONVÉNIENT OU TOUT DOMMAGE IMPRÉVU, PARTICULIER OU INDIRECT. LES RECOURS DE L'ACHETEUR POUR TOUTE VIOLATION DE CETTE GARANTIE SERONT LIMITÉS, TEL QUE SPÉCIFIÉ DANS LA PRÉSENTE, À UN REMPLACEMENT OU UNE RÉPARATION DU PRODUIT CONCERNÉ.

Certaines provinces ou certains états ne permettent pas la limitation de la durée implicite d'une garantie, l'exclusion ou la limitation des incidents ou des dommages en conséquence. Les limitations précédentes peuvent donc ne pas s'appliquer à vous. Cette garantie vous confère des droits légaux spécifiques, mais vous pouvez aussi disposer d'autres droits, qui peuvent varier d'une province ou d'un état à l'autre. Vision Grills n'autorise aucune personne ou entité à assumer toute obligation ou responsabilité en son nom en rapport avec l'achat et la vente de tous ses produits. L'achat d'un produit Vision Grills chez tout distributeur autre que Vision Grills ou un distributeur autorisé annulera la garantie associée à ce produit. Si vous avez des questions à l'égard de l'identité d'un distributeur autorisé, vous devriez communiquer avec Vision Grills avant d'effectuer l'achat du produit.

Pour soumettre une demande de garantie, l'acheteur initial ou le distributeur autorisé de l'acheteur initial doit communiquer avec Vision Grills au 877 917-4273 ou communiquer avec Vision Grills par courriel via le site Internet au www.visiongrills.com ou help@visiongrills.com ou help@visiongrills.com

**VISION™**
G R I L L S

KAMADO
CLASSIC
SÉRIE P



AVERTISSEMENT

LIRE CE GUIDE EN ENTIER AVANT D'UTILISER VOTRE GRIL KAMADO DE VISION GRILLS. CONSERVER LE PRÉSENT GUIDE POUR RÉFÉRENCE ULTÉRIEURE.

MISE EN GARDE! Faites attention lors de la cuisson car les surfaces du gril deviennent brûlantes. Pour éviter les brûlures lors de l'utilisation du gril, utiliser toujours des gants protecteurs pour ajuster l'ouverture des événements supérieurs et inférieurs. Éviter de porter des vêtements amples à proximité du gril.

Pour cuisson à l'extérieur seulement. Ne pas utiliser le gril à l'intérieur ou dans un espace clos. N'utiliser le gril que dans des endroits bien aérés. Ne pas conserver de matériaux combustibles près du gril. Garder un espace libre d'au moins 1 m (3 pi) autour du gril (maison, matériel de plein air, branches d'arbre en surplomb, arbustes, etc.).

AVERTISSEMENT! Ne jamais laisser les enfants et les animaux s'approcher du gril. Ne pas laisser les enfants utiliser le gril. Ne jamais laisser le gril sans surveillance quand il est utilisé.

Avant d'être utilisé, le gril doit être bien installé sur une surface plane et de niveau. N'utiliser le gril que sur une surface dure, stable et de niveau (terrasse de béton, sol, etc.) pouvant supporter le poids total du gril, du charbon de bois et des aliments. N'utiliser en aucune circonstance le gril sur une surface de bois, une terrasse de bois ou une surface faite de matériaux combustibles. Ne jamais déplacer le gril pendant qu'il est utilisé ou qu'il refroidit. Ne jamais utiliser le gril à moins de 7,5 m (25 pi) de tout liquide inflammable. Ne jamais utiliser le gril à moins de 3 m (10 pi) d'une bonbonne de gaz. Le gril ne doit pas être placé sous une structure combustible telle qu'un garage, une véranda, une terrasse ou un abri d'auto. La combustion du charbon de bois dégage du monoxyde de carbone, un gaz inodore qui peut être mortel.

L'usage d'alcool, de médicaments ou de drogues peut altérer l'habileté de l'utilisateur à assembler adéquatement le gril ou à le faire fonctionner de façon sécuritaire. Ne pas utiliser à bord d'une embarcation ou d'un véhicule récréatif.

ATTENTION : Ne jamais utiliser d'essence pour briquets, d'essence ou d'autres produits volatils pour allumer le gril. L'utilisation de telles substances est dangereuse et donne un arrière-goût aux aliments. Il faut être extrêmement prudent lorsque vous ajoutez du charbon de bois au gril. L'allumage électrique est recommandé. Pour jeter les cendres, les envelopper dans un papier d'aluminium, les mouiller avec de l'eau et les placer dans un conteneur non combustible.

Lors d'une cuisson à plus de 260 °C / 500 °F avec les événements supérieurs et inférieurs fermés, l'ouverture rapide du couvercle crée un apport soudain d'oxygène qui peut causer une poussée de flammes. Avec ce mode de cuisson, nous recommandons, avant d'ouvrir le couvercle, d'ouvrir les événements supérieur et inférieur pour stabiliser le niveau d'oxygène dans le gril avant de l'ouvrir et ainsi réduire au minimum le risque de poussées de flammes.

ALLUMEUR ÉLECTRIQUE

Accessoire en option (vendu séparément)

UTILISATION

ALLUMER LE GRIL:

Étape 1: Retirez la grille de cuisson principale.

Étape 2: Remplissez le panier à braise intérieur avec la quantité désirée de charbon de bois. Il est recommandé de remplir le panier à braise avec juste assez de charbon de bois pour couvrir les trous d'aération.

Étape 3: Remplacez la grille de cuisson principale.

Étape 4: Placez l'allumeur électrique dans le charbon de bois.

Étape 5: Branchez l'allumeur électrique.

Étape 6: Lorsque vous voyez que le charbon de bois au fond rougeoie, débranchez l'allumeur électrique.

Étape 7: Faites glisser doucement l'allumeur électrique à

l'extérieur du port de l'allumeur et rangez-le à un endroit difficile d'accès afin d'éviter les risques de brûlures.

AVERTISSEMENT L'ALLUMEUR ÉLECTRIQUE PEUT
ATTEINDRE DES TEMPÉRATURES TRÈS ÉLEVÉES



VISION™
GRILLS
KAMADO
CLASSIC
SÉRIE P

