

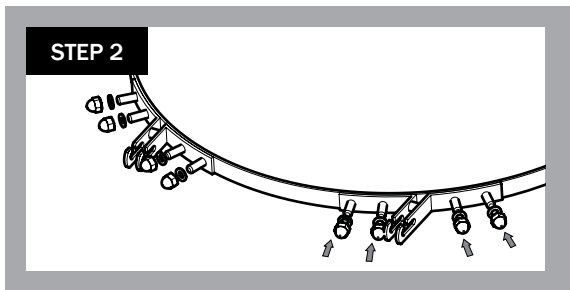
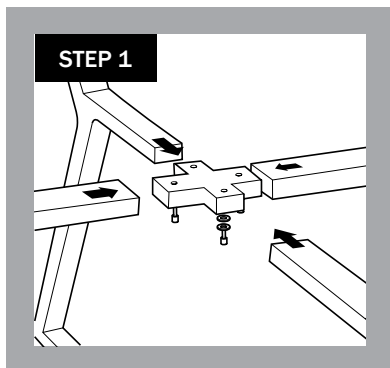
SET UP

KAMADO CLASSIC B-SERIES

Model # B-K1C2A1-N1

Step 1: Cart Assembly

- Remove bolts, washers and locking washers from the two "X" connectors.
- Remove paper washers and begin assembling the "X" connectors and legs.
- Please Note: Top & Bottom "X" Connectors must be assembled at the same time in order to fit together.
- Assemble cart by inserting the two "X" connectors into leg ends and install bolts and washers in the same order they were removed from "X" connectors.
- While assembling, only finger-tighten bolts, to allow adjustment in cart. Otherwise it can be difficult to get all of the bolts inserted.
- Screw in Standard Rubber Wheels to rear Cart Legs and the Locking Rubber Wheels to the front Cart Legs (fig. 1b).
- Tighten nuts using wrench provided.
- After cart is assembled, confirm all bolts are tightened.

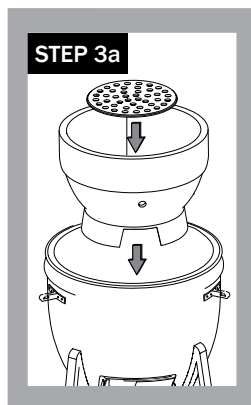


Step 2: Shelf Brackets

- Remove the nuts and washers from the bolts welded on the bottom banding and remove the paper washers.
- Mount shelf brackets over studs on the sides of the metal bands on the bottom ceramic grill body with bracket slots facing up. Brackets are stamped on the back with letters indicating their position (e.g., LF=Left Front bracket and RB=Right Back bracket).
- Mount flat washer then acorn nut on each stud and tighten with wrench provided.

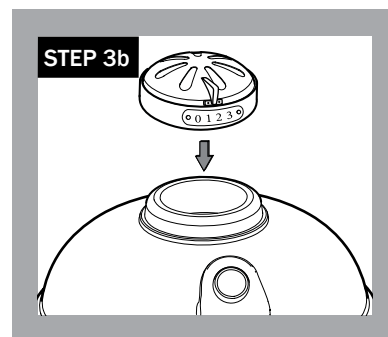
Step 3: Grill Assembly

- Take all parts out of grill before lifting. The grill is heavy and will require two people to lift and guide the Kamado into cart.
- Be sure bottom vent is centered and the grill is resting against the two back legs.
- (Step 3a:) Lower fire bowl into the grill, then place the cast iron grate into the fire bowl.
- Place cooking grates onto grill with hinged section facing towards front of grill.



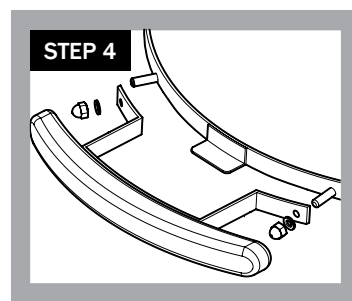
Step 3: Grill Assembly (cont.)

- (Step 3b:) Close lid and press top vent onto grill with calibrations facing the front.



Step 4: Handle and Side Shelf Mounting

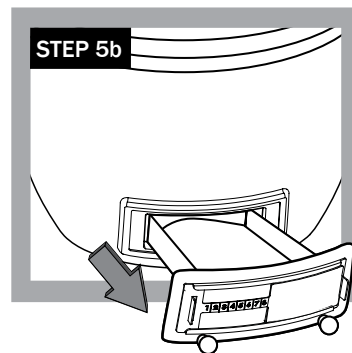
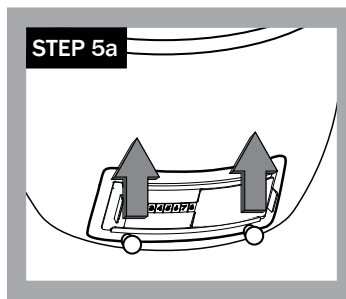
- Remove the nuts and washers from the bolts welded on the top banding opposite the hinge.
- Remove paper washers and attach handle bracket over studs. On each stud place a flat washer and an acorn nut, then tighten.
- Mount side shelves by inserting the shelf rod into the shelf bracket. Tilting the shelf up slightly and sliding in or out allows you to deploy or store the shelves.



Step 5: Ash Drawer Usage

- When grill is cool it is safe to remove ash from Ash Drawer
- (Step 5a:) Using both bottom knobs on Ash Drawer, lift slightly and (Step 5b:) pull drawer out.
- Once ashes are emptied, reinstall by pushing Ash Drawer back into grill body until it drops down back into place.

WARNING: ALWAYS WAIT FOR ASHES TO COOL BEFORE REMOVING ASH DRAWER. NEVER PULL OUT ASH DRAWER WHILE GRILL IS HOT.

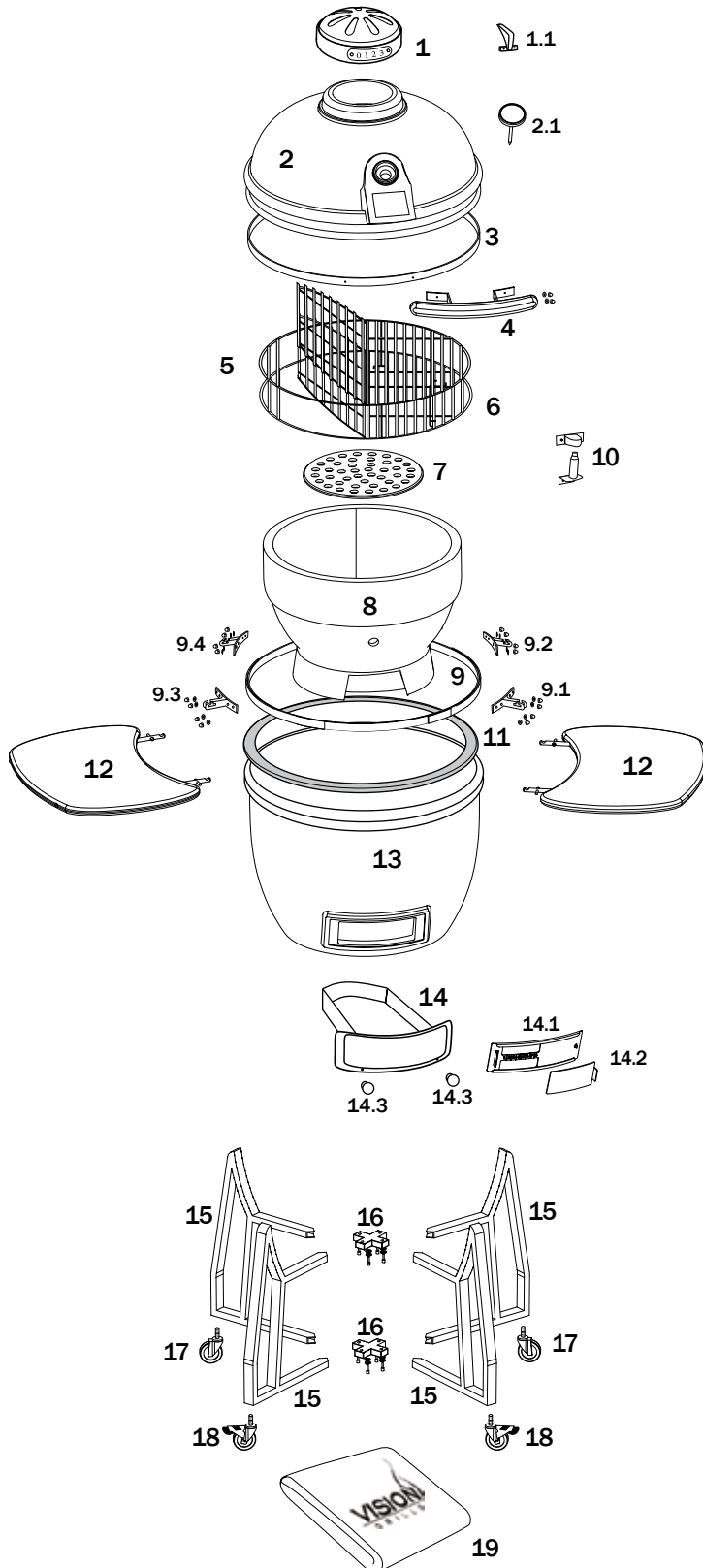


Long-Term Maintenance

- Cover your grill when not in use to extend life and maintain appearance.
- When moving grill always pull by the back hinge.

Visit
www.visiongrills.com/register
 to register your grill and
 view frequently asked questions

PARTS



PART NAMES

PART NUMBERS

1	Cast Iron Top Vent	VGC TV-CA
1.1	Bakelite Tab	VGC TV-CA-T
2	Ceramic Dome Lid	VGC CDL-2
2.1	Thermometer	VGC IT
3	Top Ring Assembly	VGC RA1-L
4	Handle (with nuts & washers)	VGC HDL-L
5	Top Cooking Grate	VGC CGT-L
6	Bottom Cooking Grate	VGC CGB-L
7	Charcoal Grate	VGC CG-L
8	Fire Bowl	VGC FB-ADB
9	Bottom Ring Assembly	VGC RA2
9.1	Right Front Side Shelf Bracket (with nuts & washers)	VGC SB-RF
9.2	Right Back Side Shelf Bracket (with nuts & washers)	VGC SB-RB
9.3	Left Front Side Shelf Bracket (with nuts & washers)	VGC SB-LF-L
9.4	Left Back Side Shelf Bracket (with nuts & washers)	VGC SB-LB-L
10	Shock Absorber Assembly	VGC AC-L
11	Felt Gasket	VGC FLT-L
12	Wood Shelves (x2)	VGC WS-RR
13	Ceramic Dome Bottom	VGC DB-B
14	Ash Drawer Body	VGC ADB
14.1	Bottom Draft Door Frame	VGC BDDF-L
14.2	Bottom Draft Door	VGC BDD-L
14.3	Ash Drawer Knob (x2)	VGC ADK
15	Cart Leg (x4)	VGC PMLEG-4
16	"X" Leg Connectors (with bolts, washers & spring washers)	VGC XCL-L
17	Rubber Wheels (x2) Standard	VGC WHLS-L
18	Rubber Wheels (x2) Locking	VGC WHL-L-L
19	Grill Cover	VGC GC-L

Vision Grills, LLC

1531 Fairview, Suite B, St. Louis, MO 63132

• 877.917.4273 • www.visiongrills.com