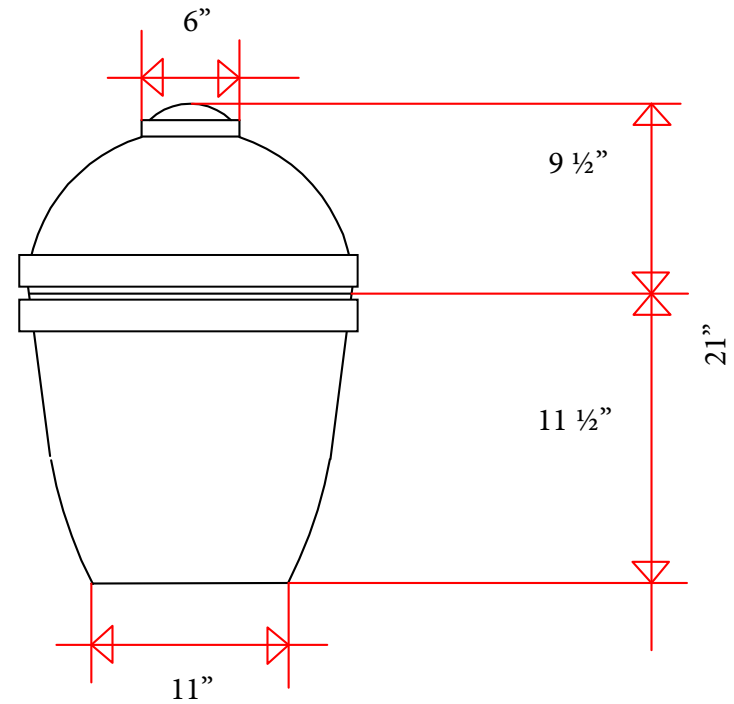
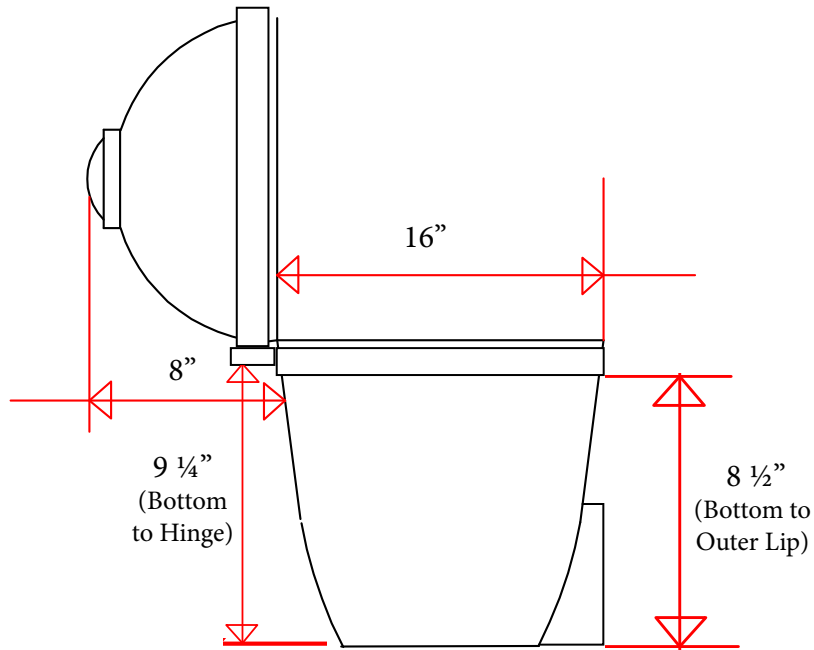


# Vision Grills Cadet Dimensions for Built In / Outdoor Kitchen

(tolerance +/- 1/4")



**Vision Grills**  
help@visiongrills.com  
877-917-4273