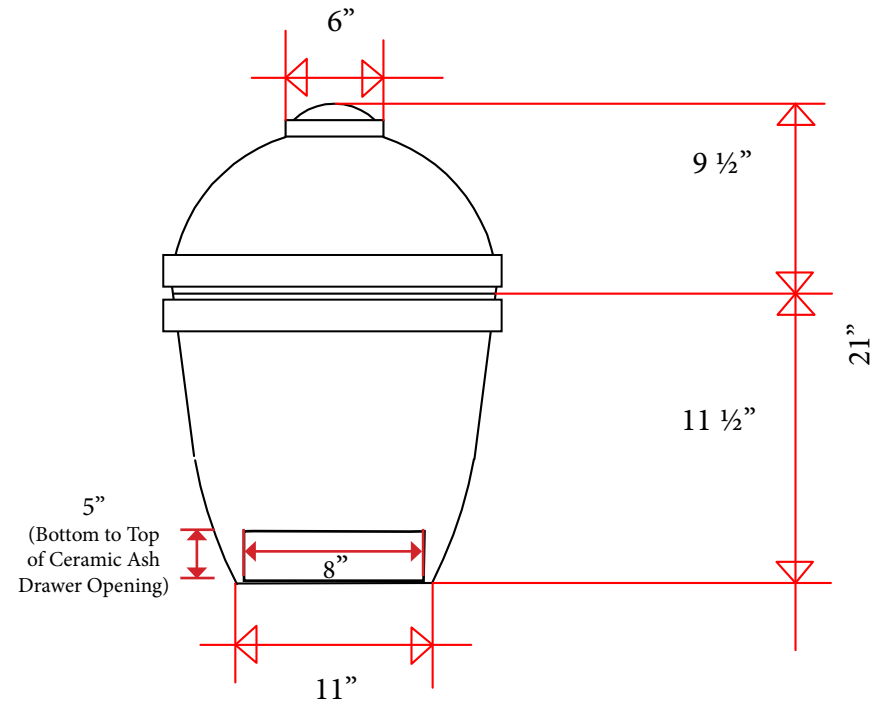
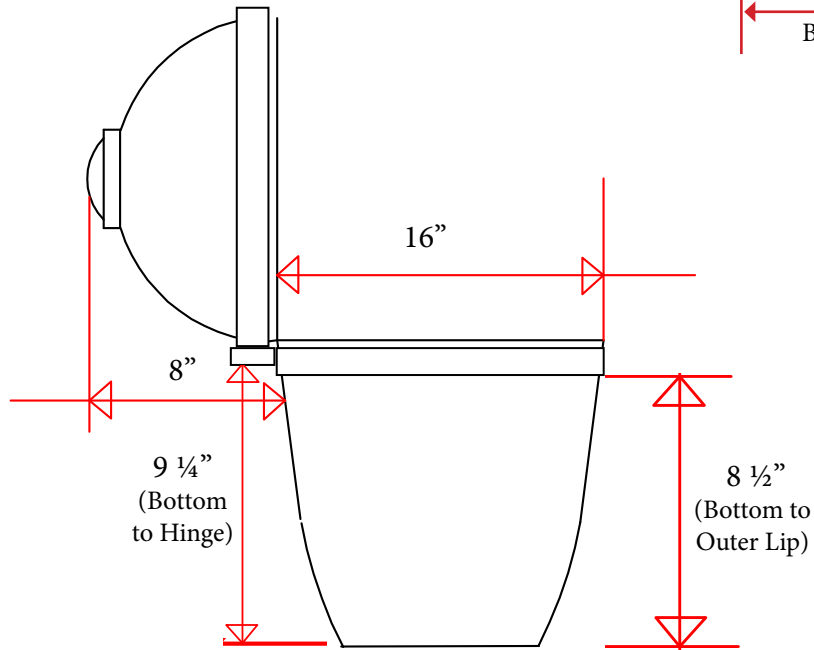
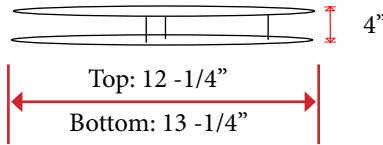


Cadet and 100 Series Vision Grills Dimensions for Built In / Outdoor Kitchen

(tolerance +/- 1/4")



Stainless Steel
Cooking Grate



Vision Grills

help@visiongrills.com

877-917-4273